



GAS CATCHER™ IGNITER INSTALLATION INSTRUCTIONS

Caution: Turn the gas off at the gas supply, before starting.

To replace the gas catcher ignition chamber with another gas catcher ignition chamber.

Step 1

Remove burner control knobs. Remove control panel. Pull the ignition button(s) up.

Step 2

Remove the white and black wires from the push button igniter. Figure 1.

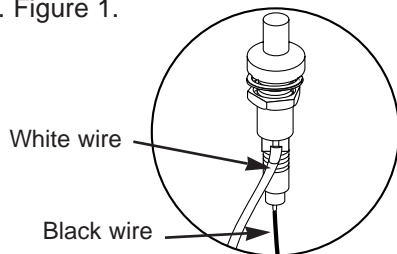


Figure 1

Step 3

Remove the cooking grates and flavorizer bars.

Step 4

Straighten the tabs of the old Gas Catcher. Remove from the cooking box. Figure 2.

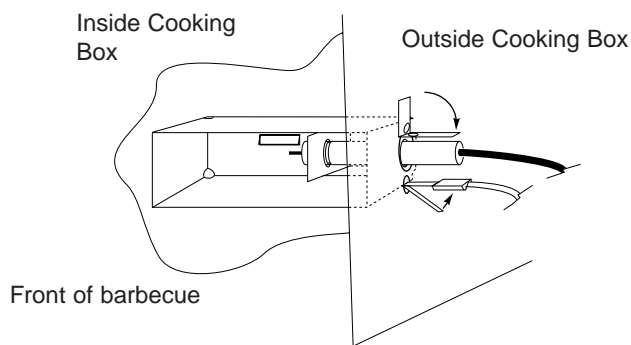


Figure 2

Step 5

Do not remove wires from the gas catcher ignition chamber or igniter.

Insert the tabs of the new Gas Catcher Ignition Chamber through the holes in the cooking box. Insert the black wire through the large hole and the white wire through the small hole of the cooking box while you insert the tabs of the Gas Catcher Ignition Chamber through the cooking box. Bend the large tab of the Gas Catcher "up" against the cooking box, to hold it in place. Bend the small tab down slightly, at a 45 degree angle (not against the cooking box). Figure 2.

Step 6

Loosen the locknut on push button igniter. Insert the igniter into the keyhole with the washer (raised side up) on top of the frame brace or front panel depending on which model Weber Gas Barbecue you have. Install locknut, and hand tighten. Figure 3.

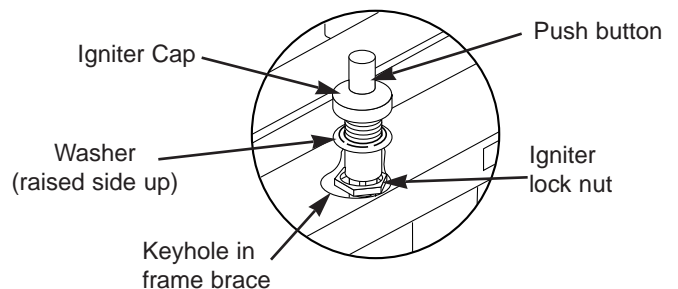


Figure 3

Step 7

Push black wire onto round silver post, bottom of the push button igniter. Push white wire onto silver tab on the side of the igniter. Figure 4.

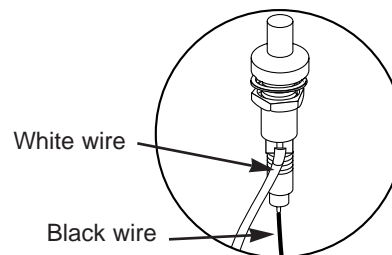


Figure 4

Step 8

Replace the control panel and burner control knobs.

Caution: Turn the gas off at the gas supply, before starting.

To upgrade older style ignition system with the gas catcher ignition system.

Step 1

Remove burner control knobs. Remove control panel. Put your fingers under the right edge of the control panel at the control panel push-in buttons and pull toward you. Lift off the control panel.

Step 2

Remove the white and black wires from the igniter. Figure 1.

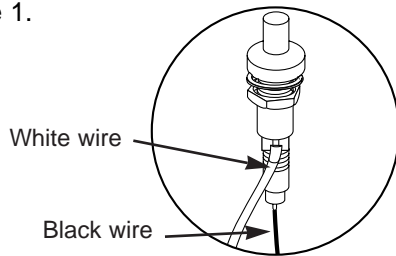


Figure 1

Step 3

Remove the cooking grates and flavorizer bars.

Step 4

Remove the electrode from the cooking box. Figure 2. *Note: If you break the screw and nut that holds the electrode to the cooking box, you can drill out the broken screw, using a 1/8" drill bit. Do not enlarge the hole.*

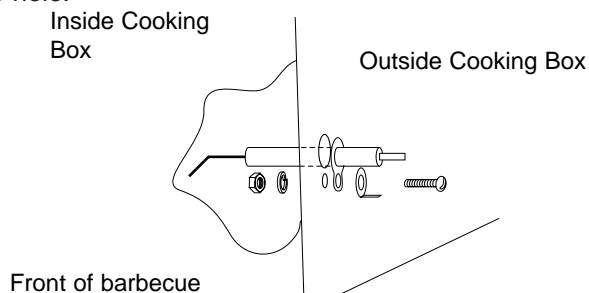


Figure 2

Step 5

Do not remove wires from the gas catcher ignition chamber or igniter.

Insert the tabs of the new Gas Catcher Ignition Chamber through the holes in the cooking box. Insert the black wire through the large hole and the white wire through the small hole of the cooking box while you insert the tabs of the Gas Catcher Ignition Chamber through the cooking box. Bend the large tab of the Gas Catcher "up" against the cooking box, to hold it in place. Bend the small tab down slightly, at a 45 degree angle (not against the cooking box). Figure 3.

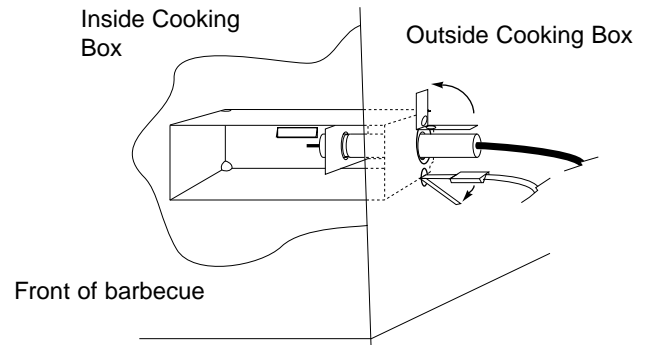


Figure 3

Step 6

Loosen the locknut on igniter. Insert the igniter into the keyhole with the washer (raised side up) on top of the frame brace or front panel depending on which model Weber Gas Barbecue you have. Install locknut, and hand tighten. Figure 4.

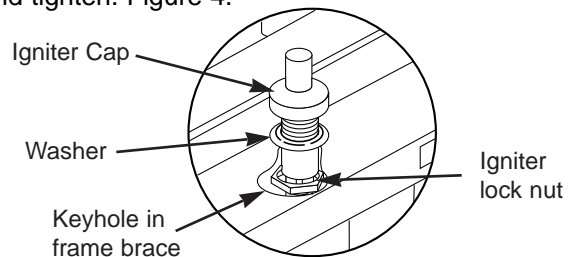


Figure 4

Step 7

Push black wire onto round silver post, bottom of the igniter. Push white wire onto silver tab on the side of the igniter. See Figure 1.

Step 8

Replace the control panel and burner control knobs.

Crossover Ignition Operations

If the Crossover Ignition fails to ignite the Front burner, light the Front burner with a match. If the Front burner lights with a match, then check out the Crossover Ignition System.

- Check that both the white and black ignition wires are attached properly.
- Check that the Crossover Ignition button pushes the igniter (button) down, and returns to the up position.
- Check to see if the igniter is loose in the frame. Tighten if necessary.

If the Crossover Ignition System still fails to light the Front burner, use matches to light the Weber Gas Barbecue manually, so that you can use your Weber Gas Barbecue, and call Weber-Stephen Products Co., Customer Service Center for further instructions at (800) 446-1071.