



Revised Steps for Continue Frame Assembly & Add Fuel Scale Assembly

Continue frame assembly

When placing the wheel frame onto the tabs of the right frame, disregard the reference to the orientation of the fuel scale decal. The fuel scale decal is no longer present on this model.

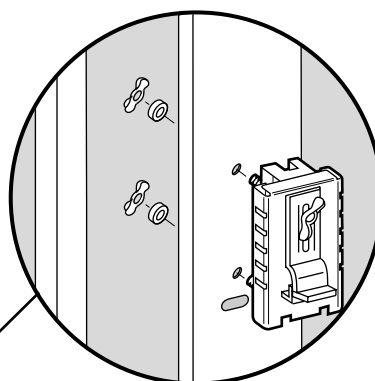
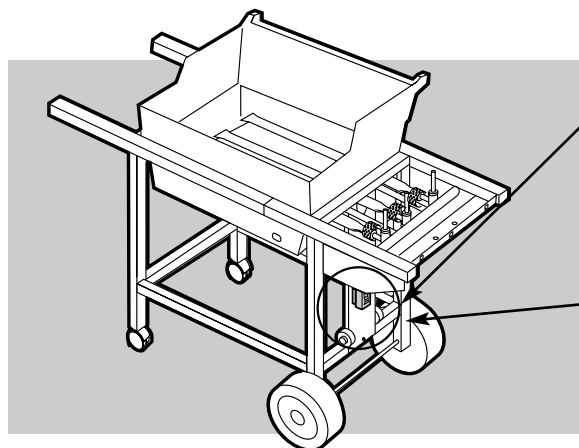
Add fuel scale assembly

Disregard the original step "Add the fuel scale assembly" in your owners manual and follow the instructions below.

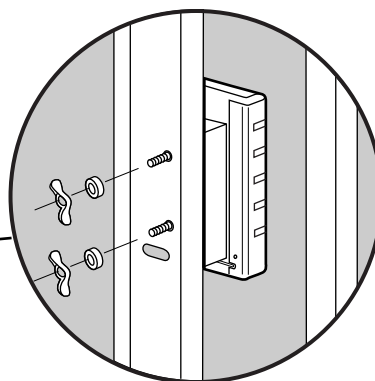
You will need: fuel scale assembly, two 1/4-20 wing nuts and two nylon washers.

Slip the bolts on the back of the fuel scale assembly through the two small holes in the tank panel. Add washers then wing nuts and tighten. See illustrations.

Continue with the remaining steps in your manual to complete assembly of your grill. **Disregard the step for setting your fuel scale as this is no longer required. This scale is already pre-adjusted.**



View from front right



View from front left

Checking the fuel level in your tank

Check the fuel level by viewing the color indicator level line on the side of the tank scale.

