

# SPiRiT<sup>®</sup>



## GAS GRILL

### Assembly Guide

310 ORIGINAL • 320 ORIGINAL

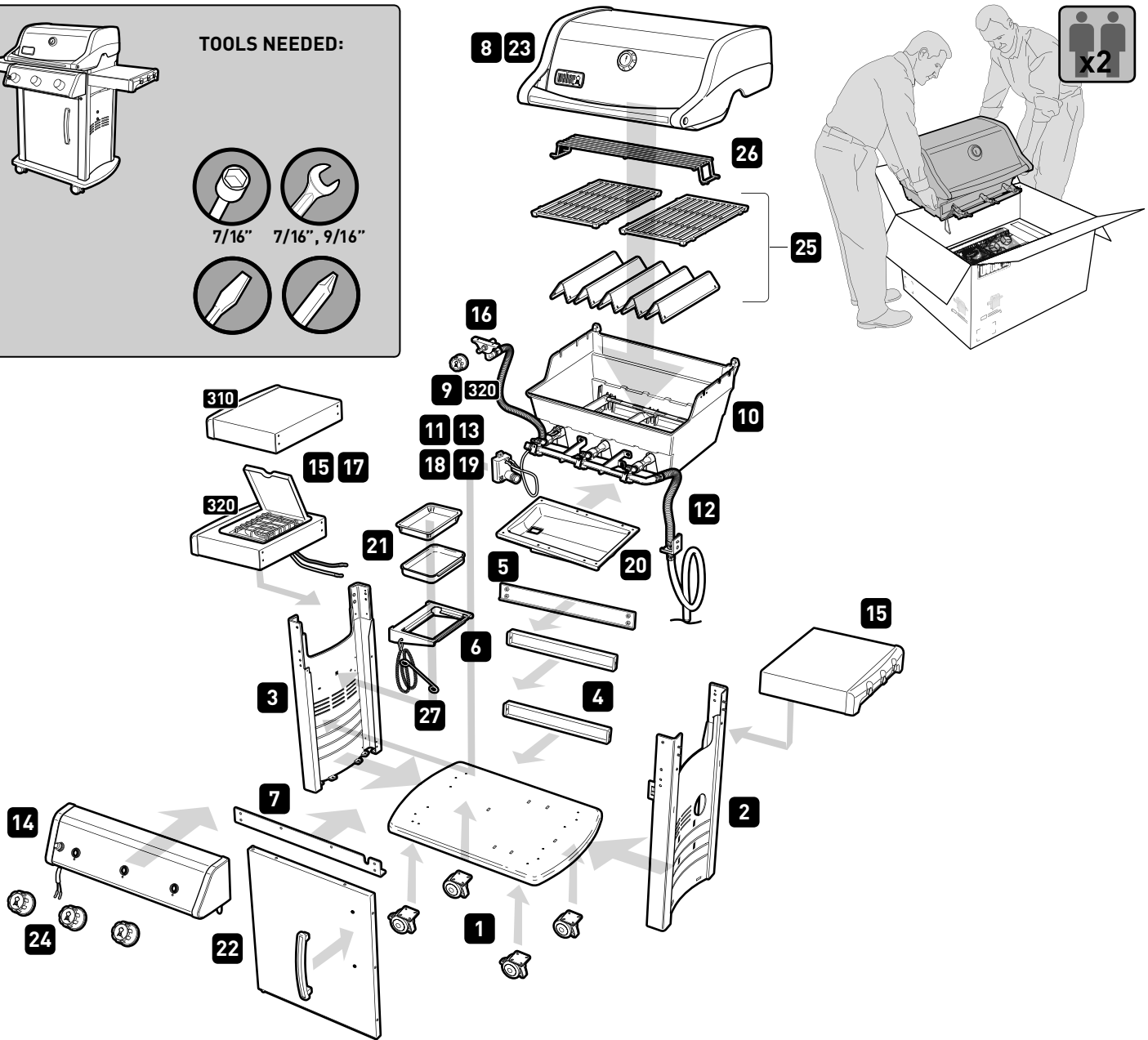
#58305



**TOOLS NEEDED:**



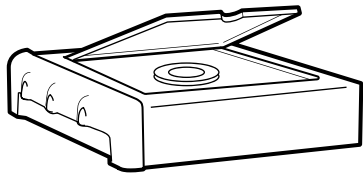
7/16" 7/16", 9/16"



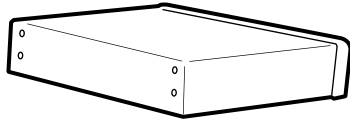
310

320

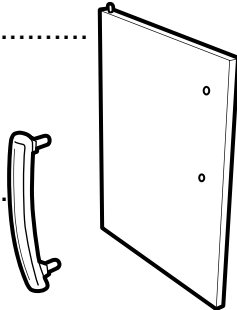
0 ..... 1



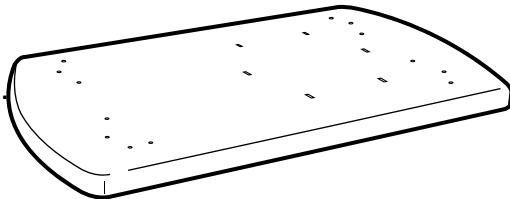
2 ..... 1



1 ..... 1

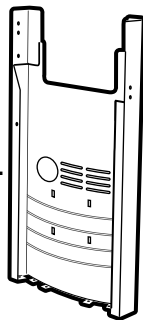


1 ..... 1

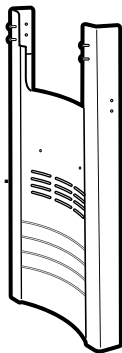


1 ..... 1

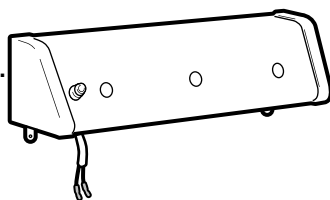
1 ..... 1



1 ..... 1



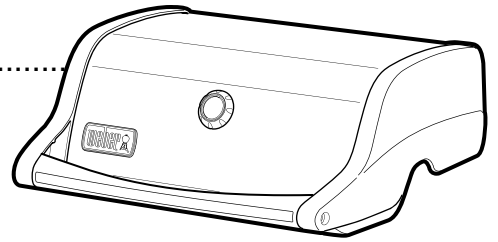
1 ..... 1



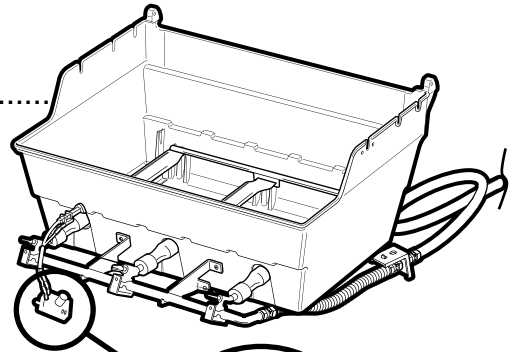
310

320

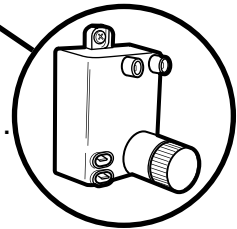
1 ..... 1



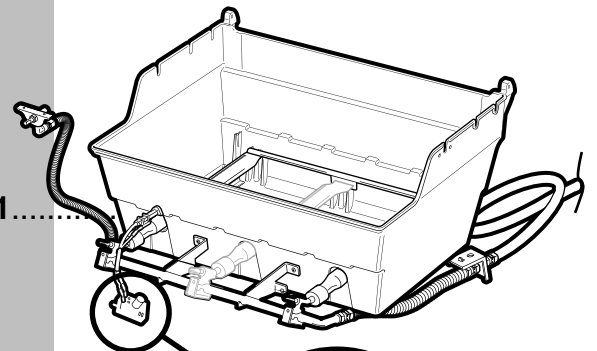
1 ..... 0



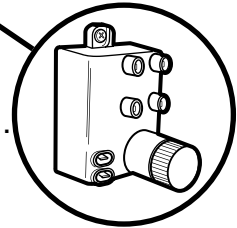
1 ..... 0



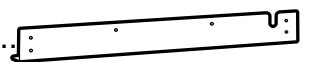
0 ..... 1



0 ..... 1



1 ..... 1



1 ..... 1



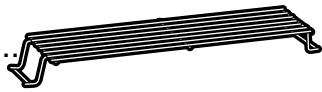
2 ..... 2



310

320

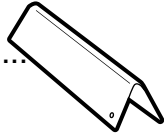
1 ..... 1



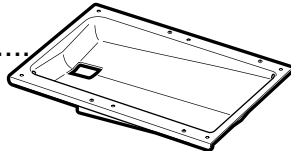
2 ..... 2



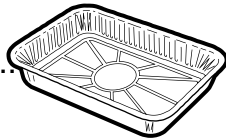
5 ..... 5



1 ..... 1



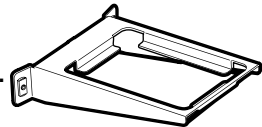
1 ..... 1



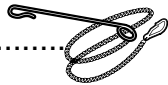
1 ..... 1



1 ..... 1



1 ..... 1



3 ..... 3



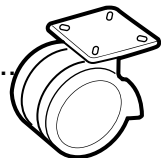
0 ..... 1



2 ..... 2



2 ..... 2



**A**

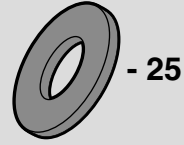


- 16

**B**



- 29

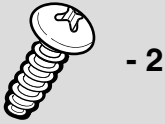


- 25

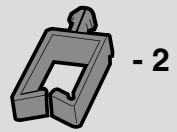


- 2

**D**



- 2



- 2

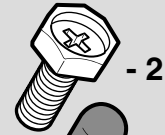


- 2

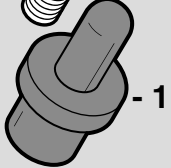


- 1

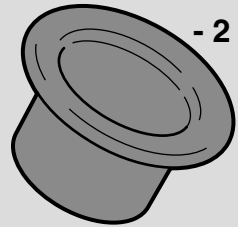
**G**



- 2



- 1



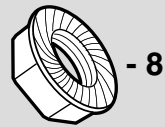
- 2

**J**

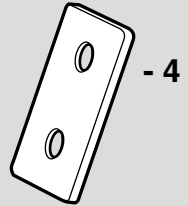


- 3

**K**



- 8



- 4

**M**



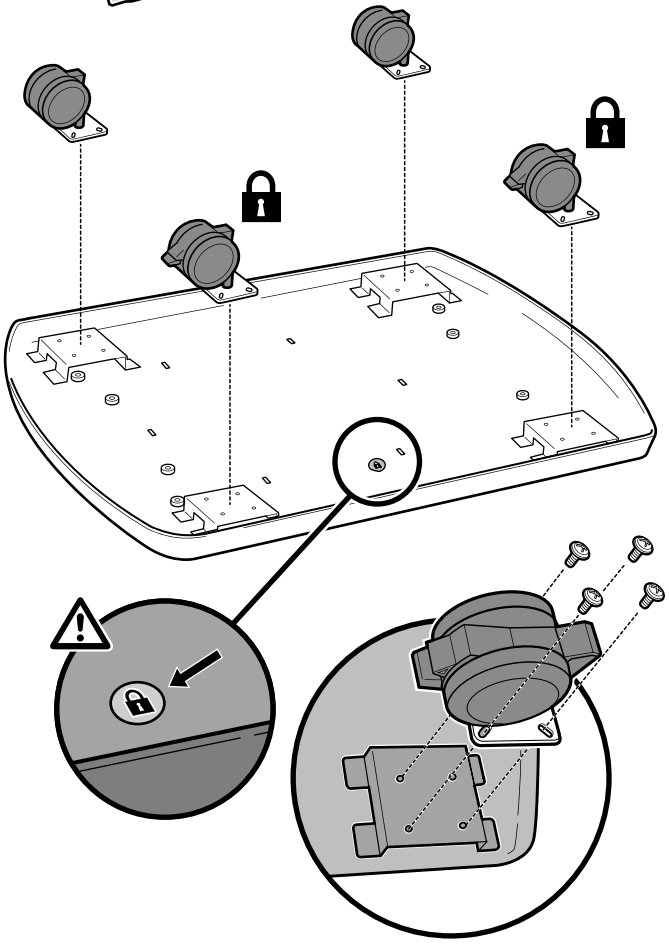
- 2





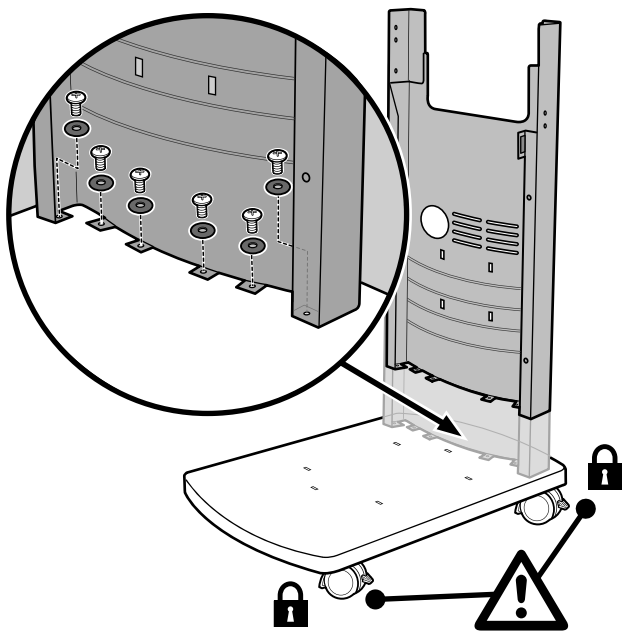
- 2



320

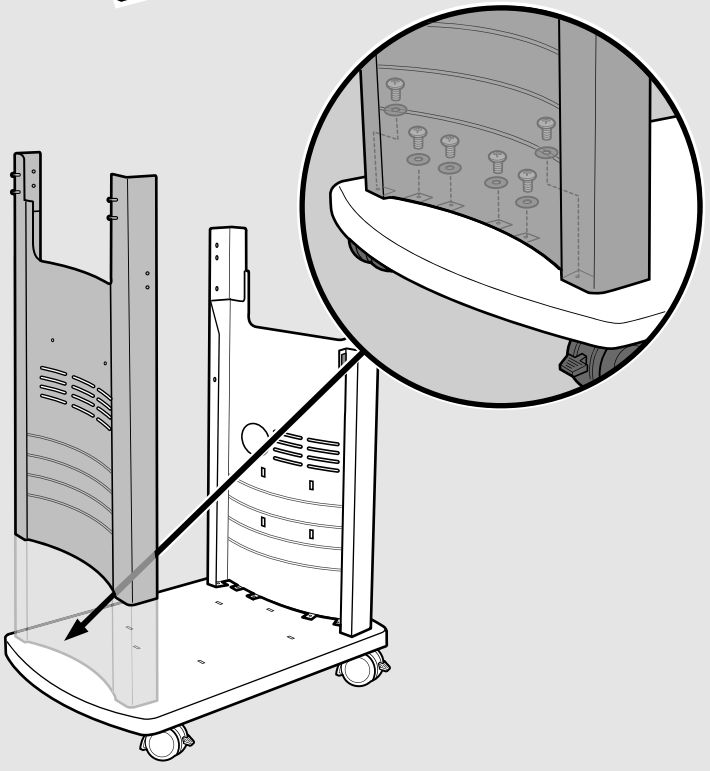
- 1** **A**  - 16  - 2  - 2




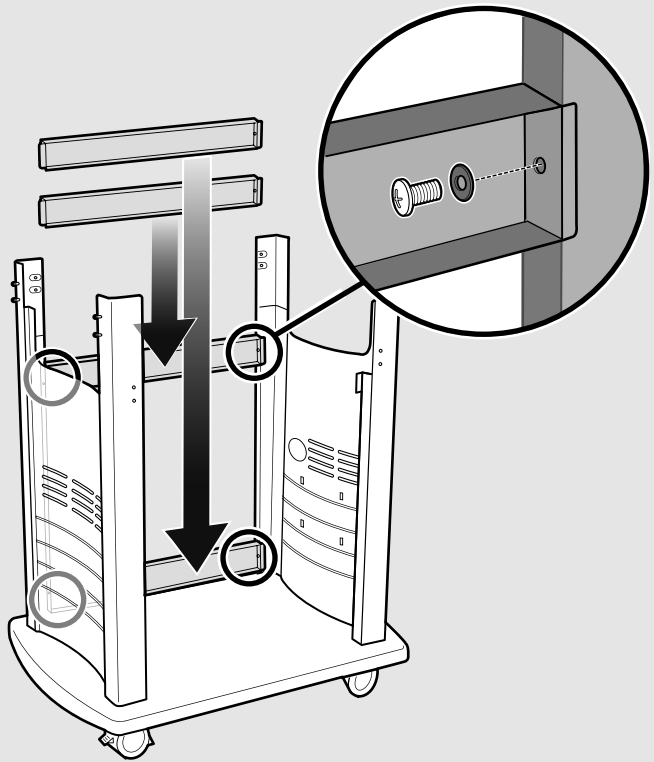
- 2** **B**  - 6  - 6





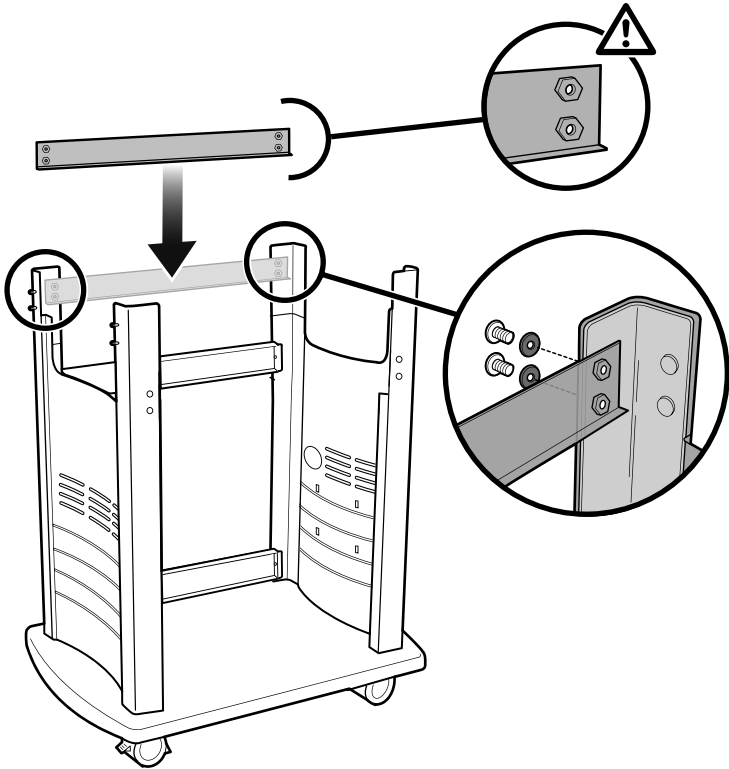
- 3** **B**  - 6  - 6





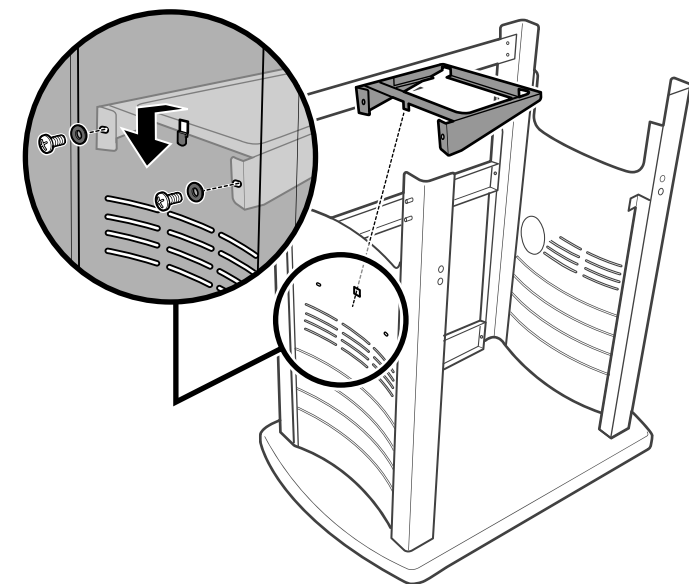
- 4** **B**  - 4  - 4





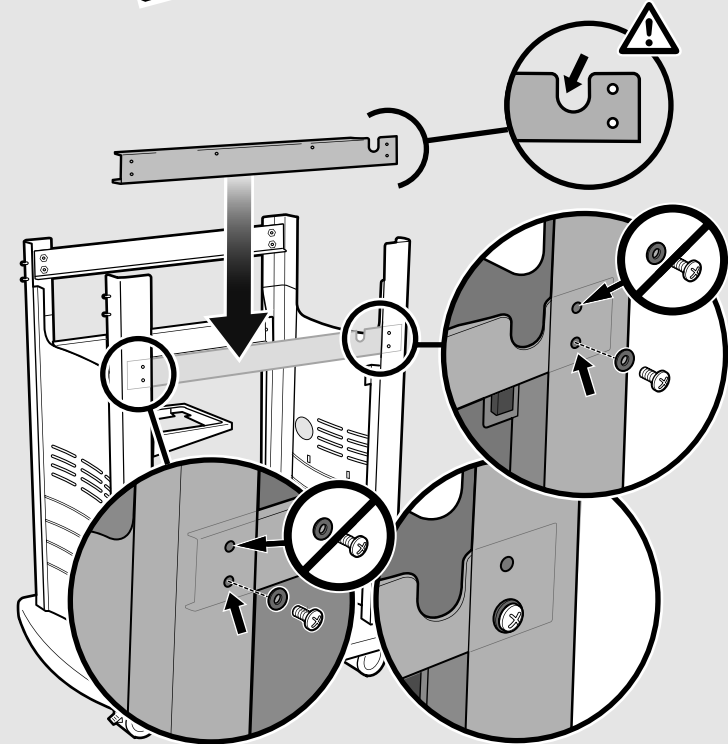
**5** **B**  -4  -4



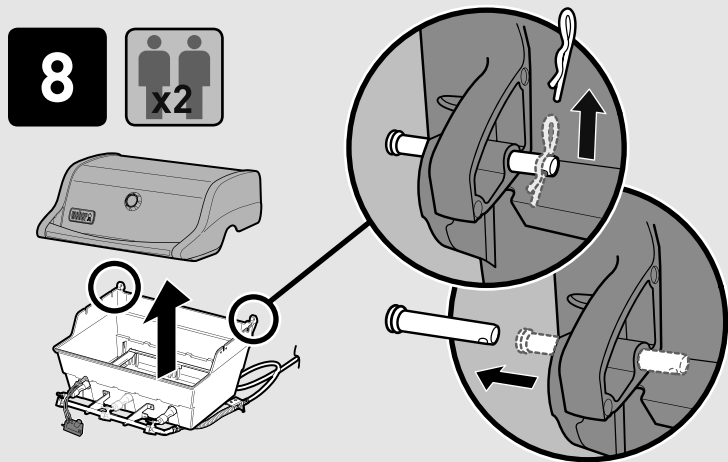
**6** **B**  -2  -2



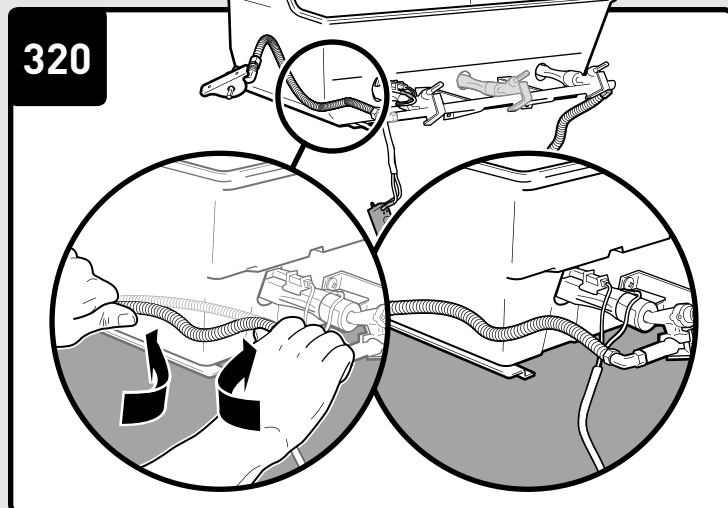
**7** **B**  -2  -2



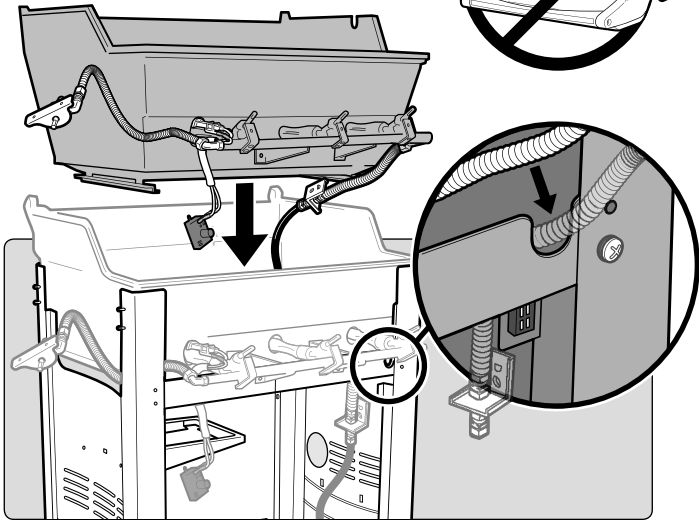
**8**  x2



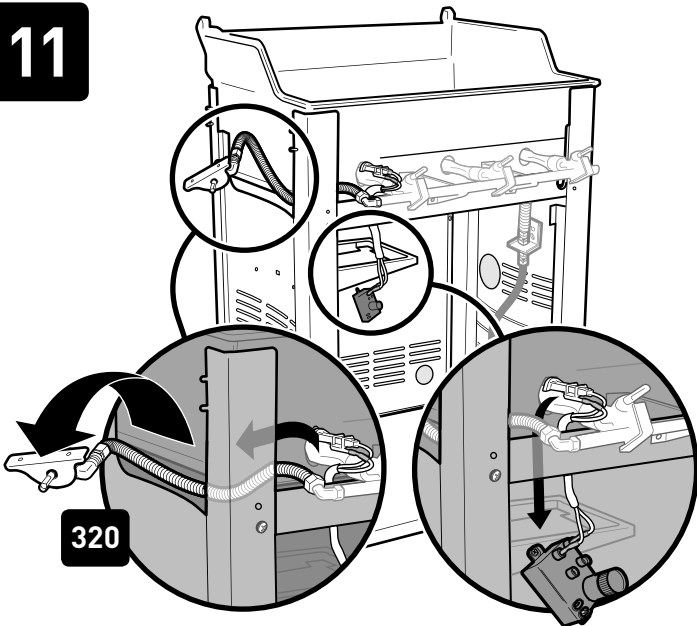
**9**



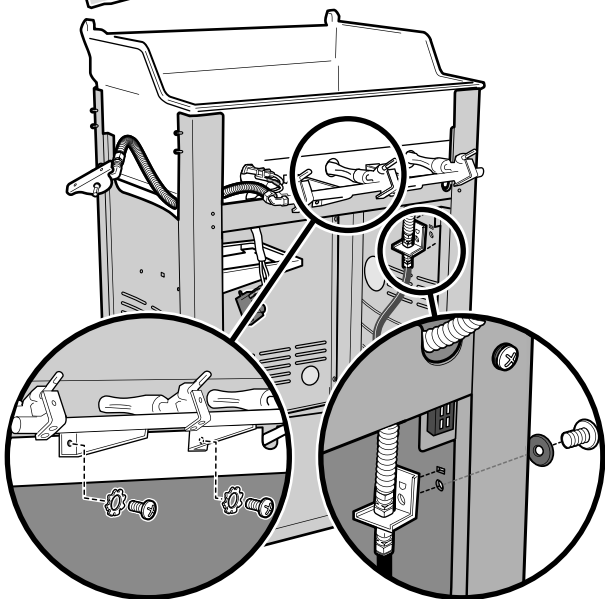
10



11

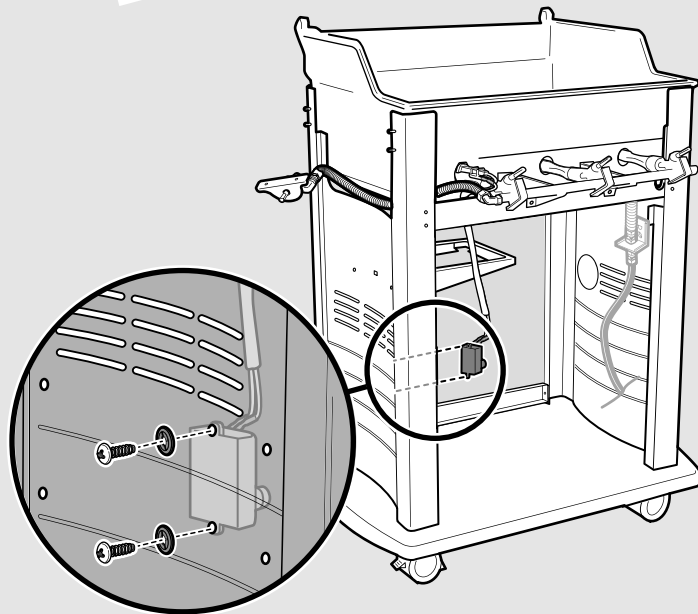
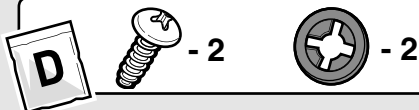


12

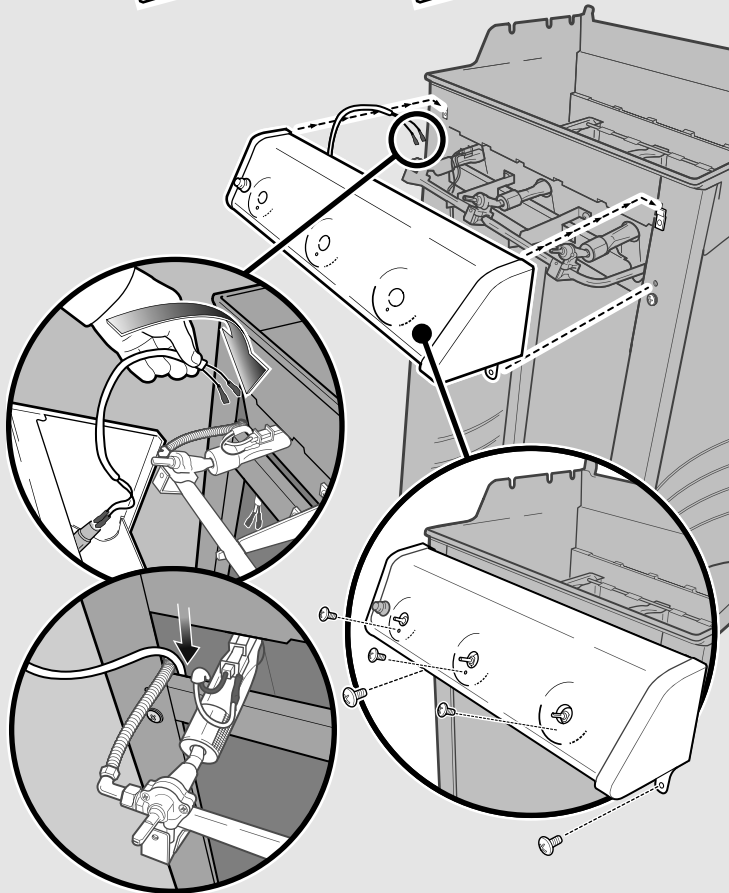
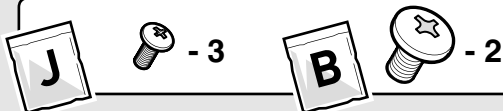


See Owner's Guide for full gas instructions.

13



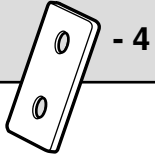
14



15

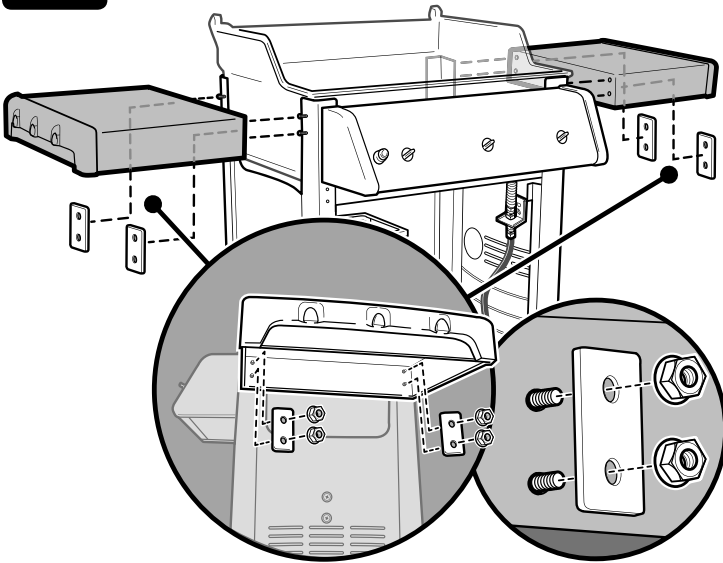


- 8



- 4

310



16

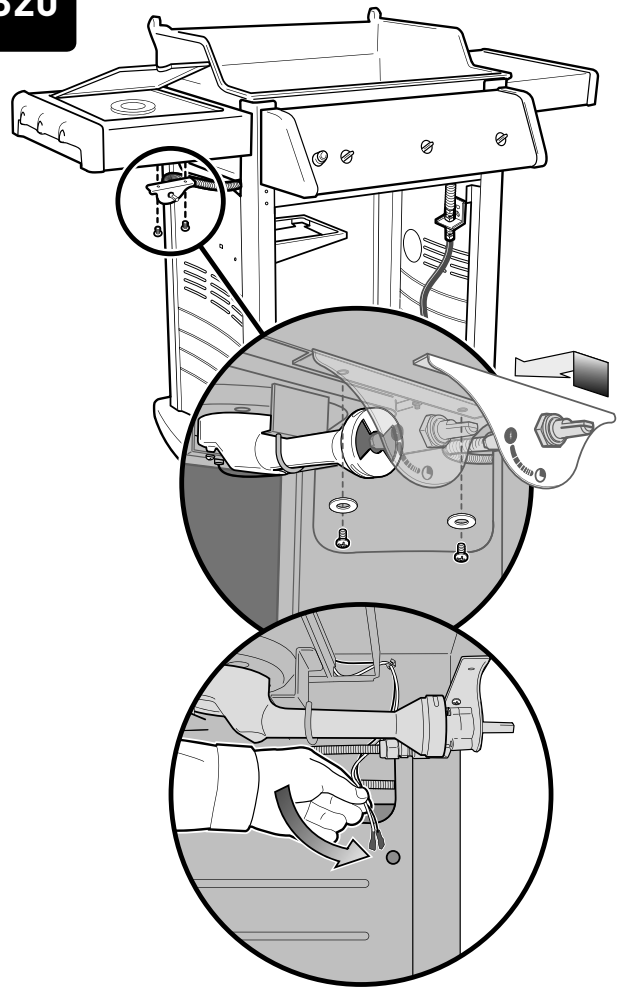


- 2

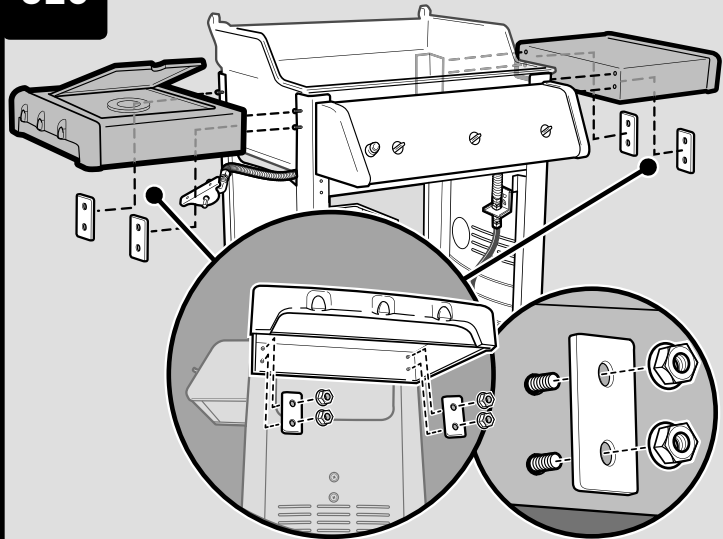


- 2

320

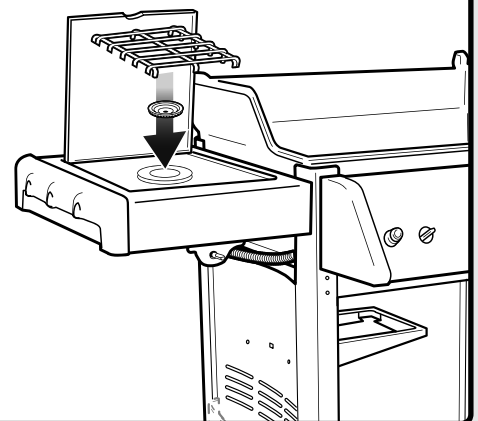


320



17

320

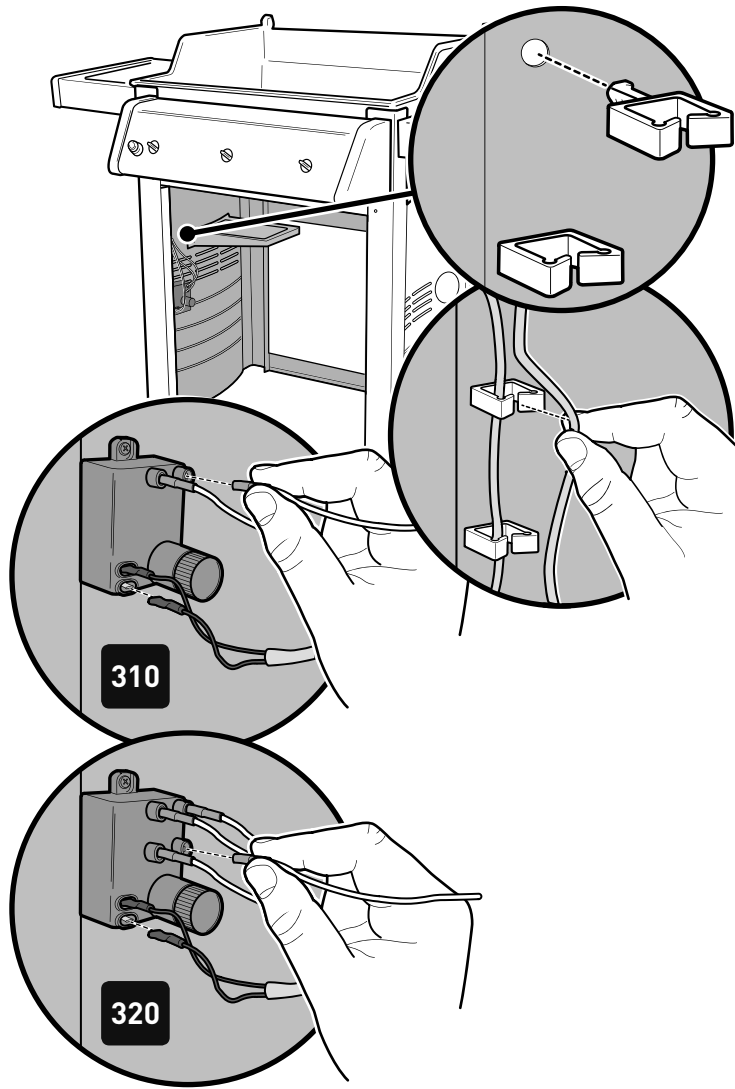


Tighten the nuts until snug. Turn only a quarter turn further. DO NOT OVER TIGHTEN.



18

D - 2



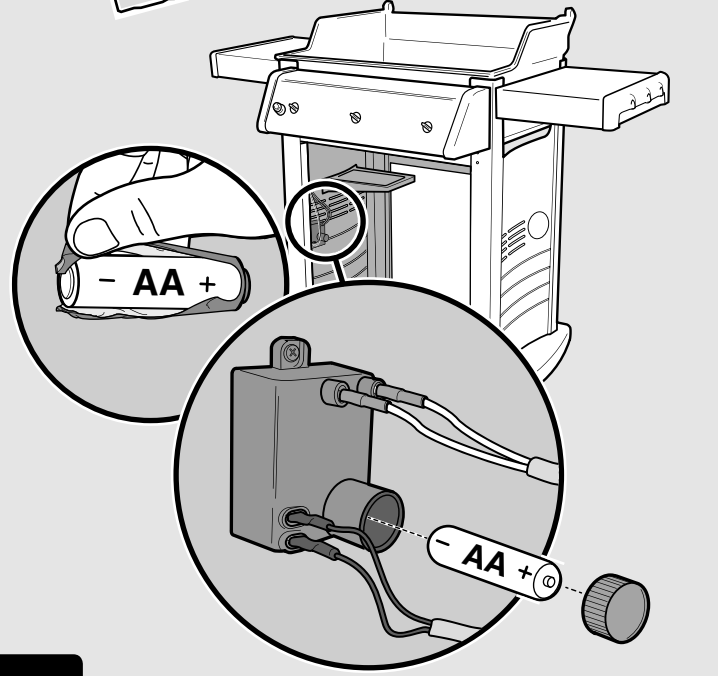
310

320

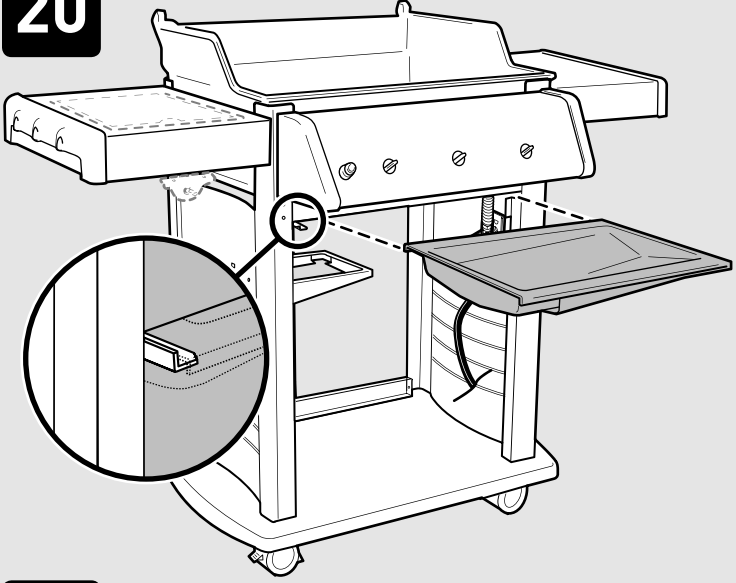
See Owner's Guide for the Igniter Module Wire Guide chart.

19

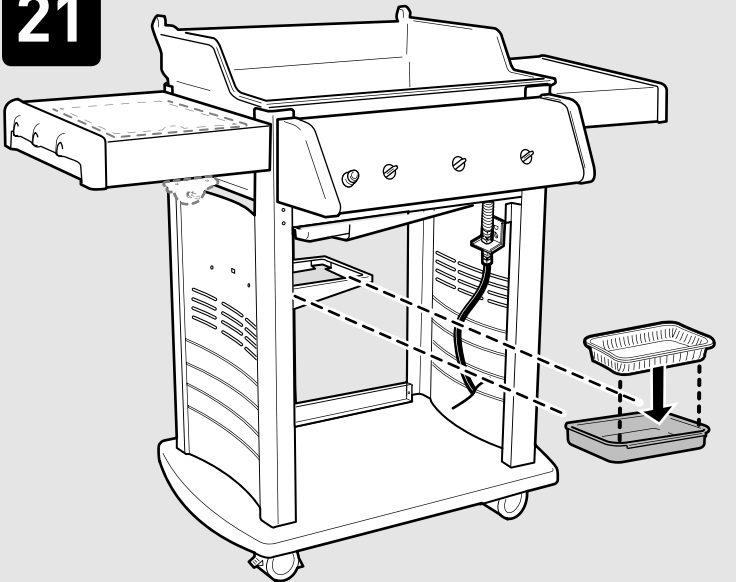
D + AA - - 1



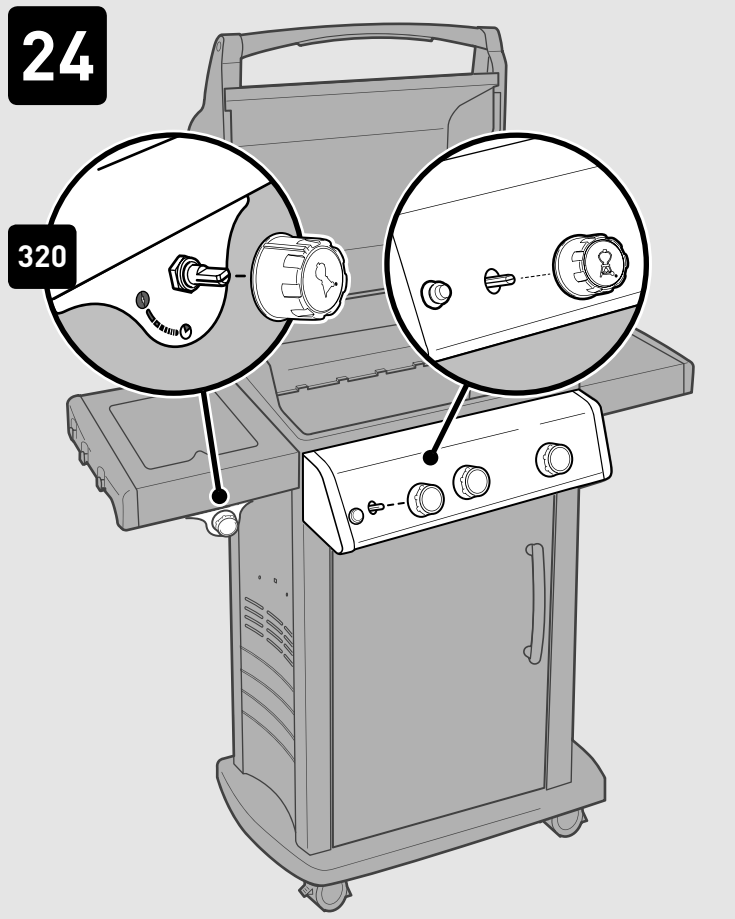
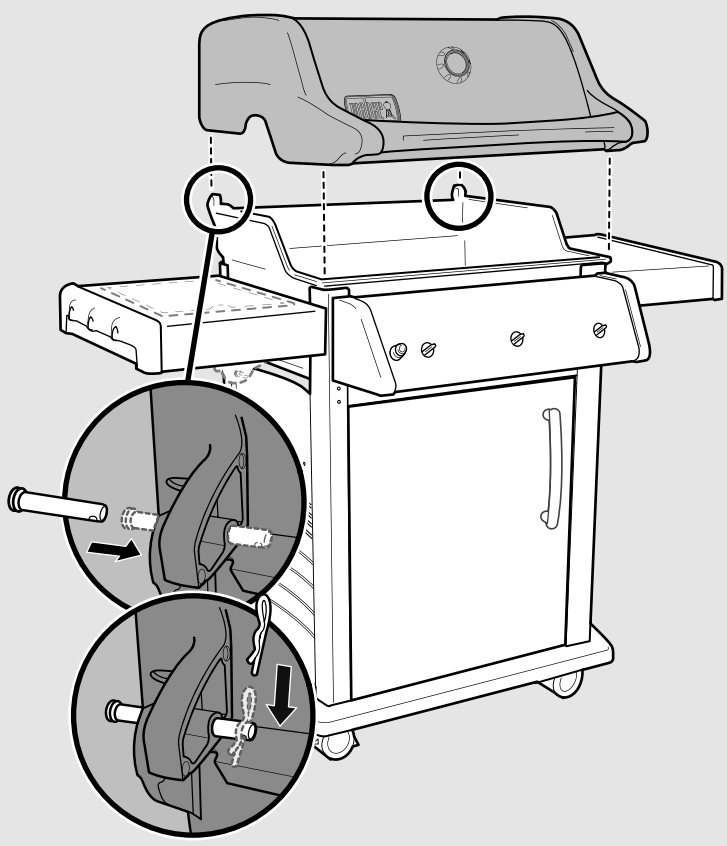
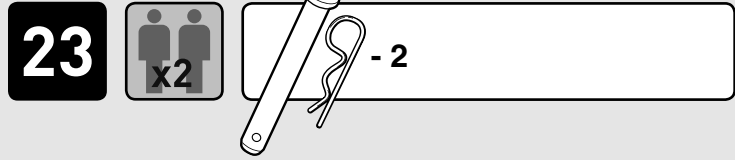
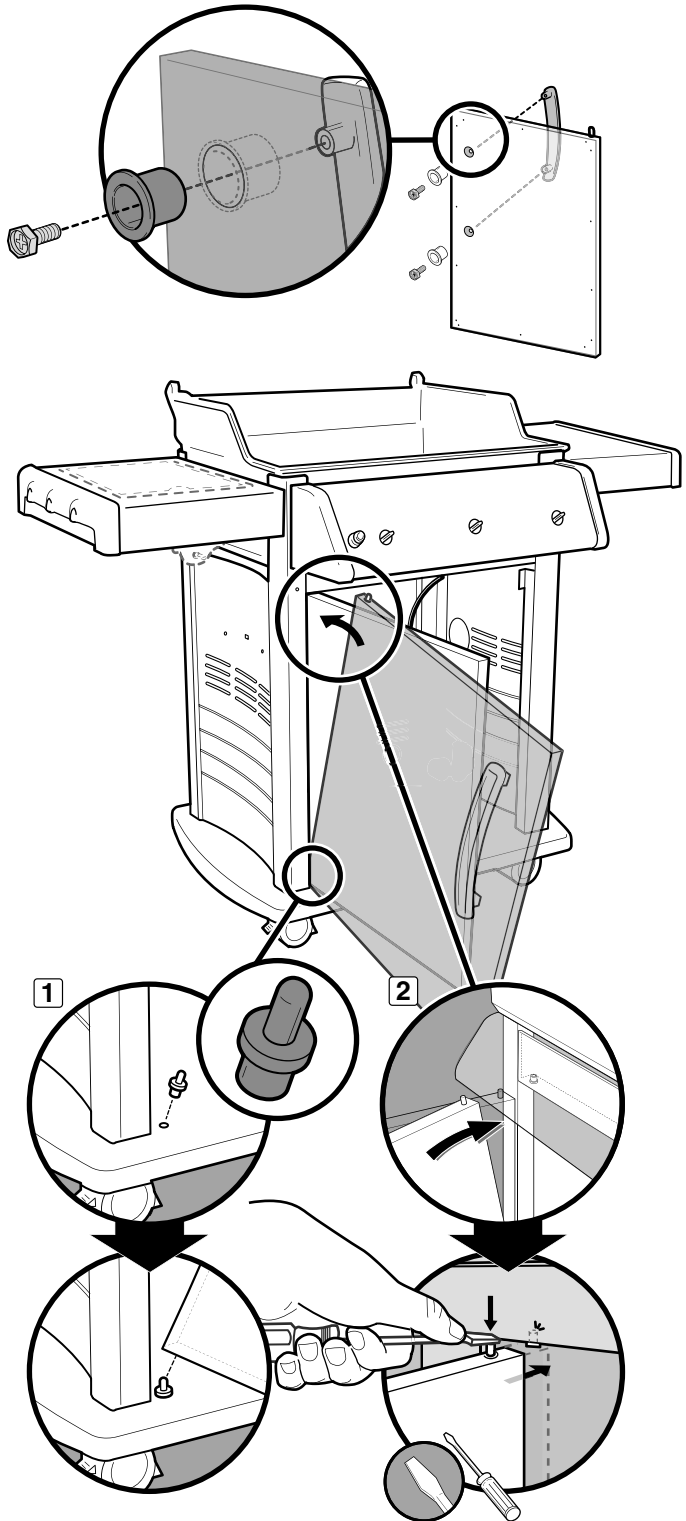
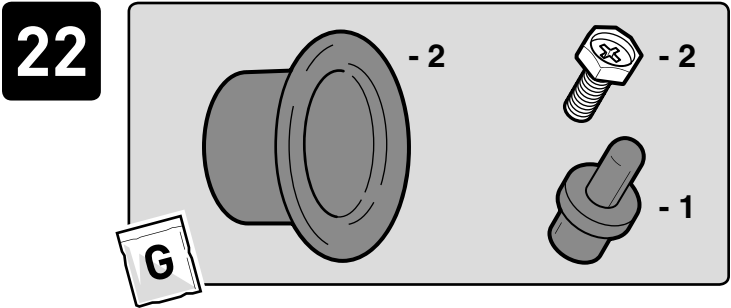
20



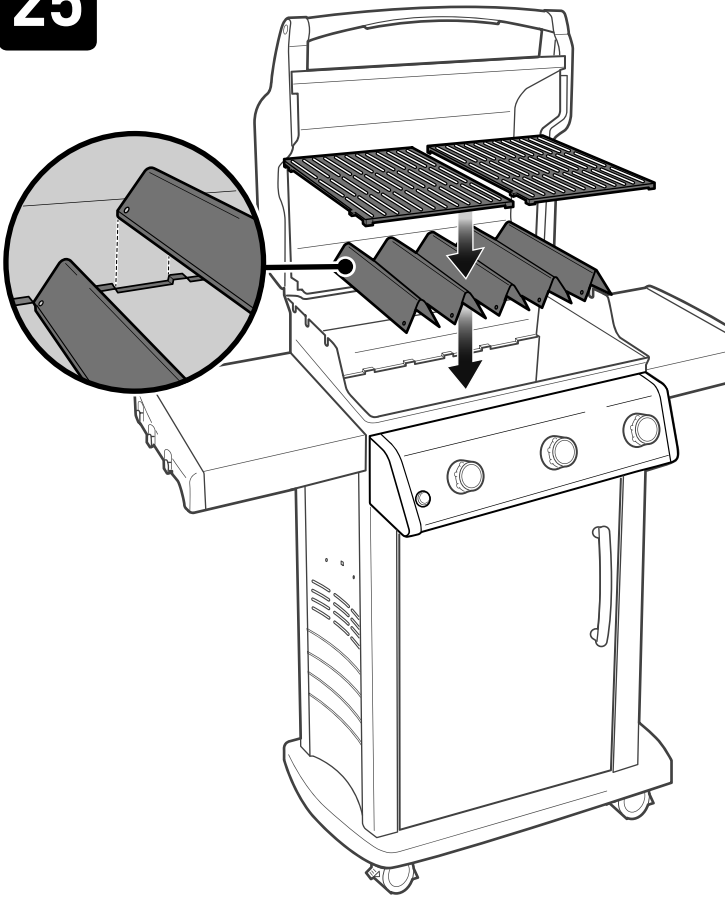
21



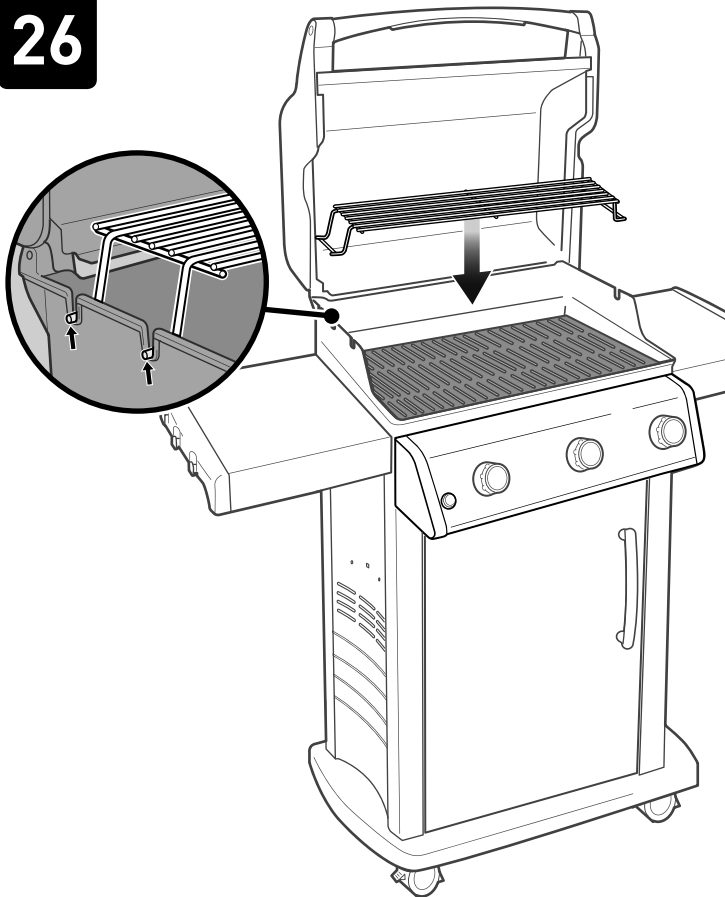




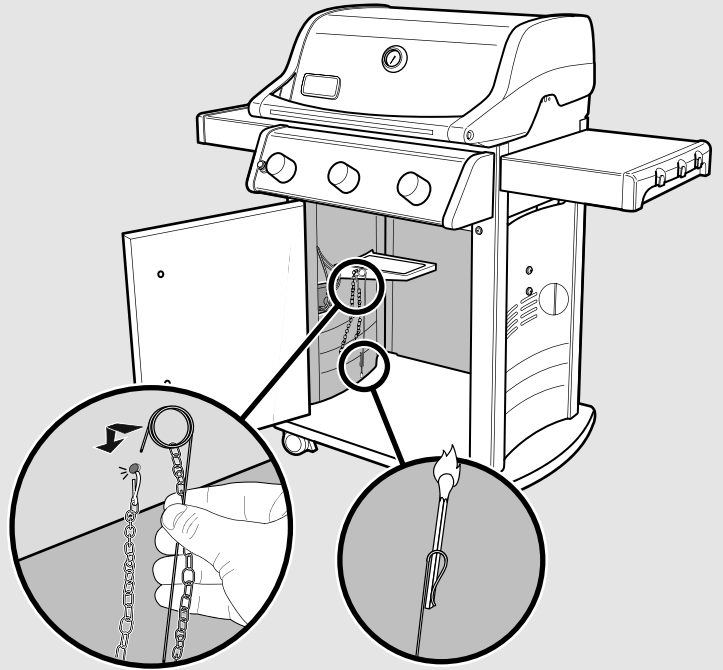
25



26



27







WEBER-STEPHEN PRODUCTS LLC  
[www.weber.com](http://www.weber.com)<sup>®</sup>

© 2013 Designed and engineered by Weber-Stephen Products LLC,  
200 East Daniels Road, Palatine, Illinois 60067 U.S.A.