

Installing the Spacer Bracket

Step 1

Remove existing hardware

Turn OFF the gas supply.

Remove the cooking grates and Flavorizer Bars from the cooking box.

Remove the work table from the frame.

Hold the head of the bolt while you remove the nut from the inside of the cooking box. Remove the bolt. Figure 1.

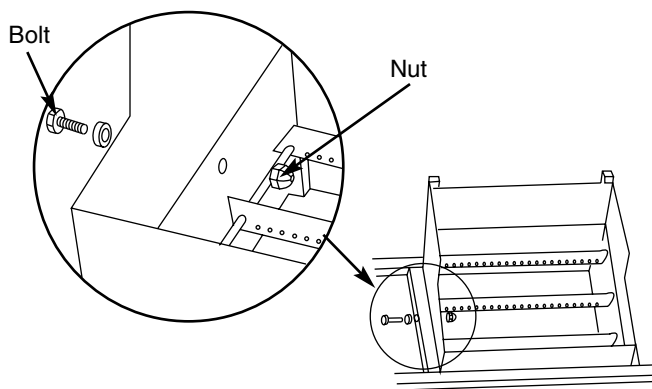


Figure 1

Step 2

Installing spacer bracket and new hardware

Take the spacer bracket and hold it up to the frame making sure the tabs fit underneath the frame.

Figure 2 (a). Reinsert the bolt through the center hole in the spacer bracket, frame, and cooking box with the head of the bolt outside the spacer bracket. Figure 2 (b).

Add the nut. Figure 2. Tighten by holding the bolt with pliers while you tighten the nut with a wrench.

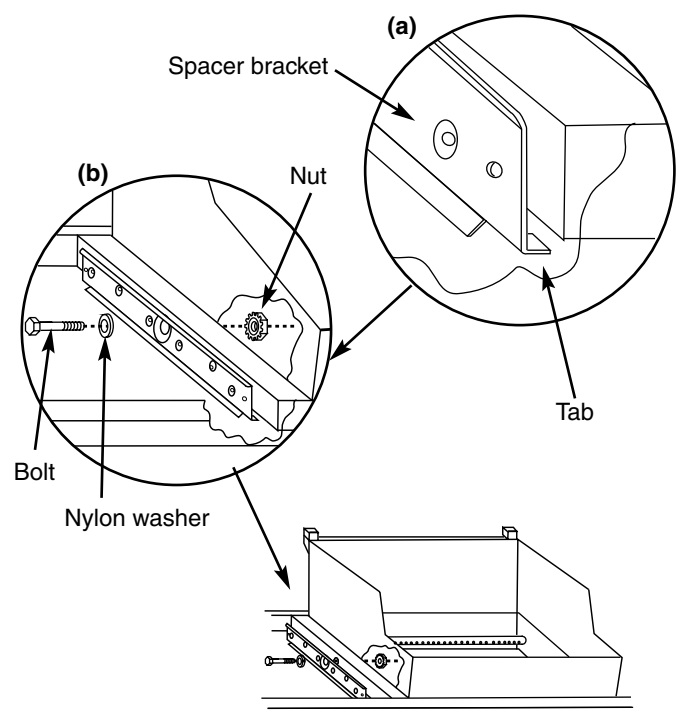


Figure 2

Reinstall the cooking grates and Flavorizer Bars and work table.

If you have any questions or problems please call the Weber-Stephen Customer Service Center , at 800-446-1071 to receive immediate attention.