



Procedure for Adding a Swing Table (Genesis 1-5000)

To determine which style table will fit on your Weber Gas Barbecue, measure from the top of the leg frame to the hole in the leg frame (figure 1).

There may be a hole thirteen inches down from the top of the leg frame. Weber Gas Barbecues manufactured before 1989 have the hole on the inside of the leg frame only. Models manufactured in 1989 and after will have a hole through the leg frame.

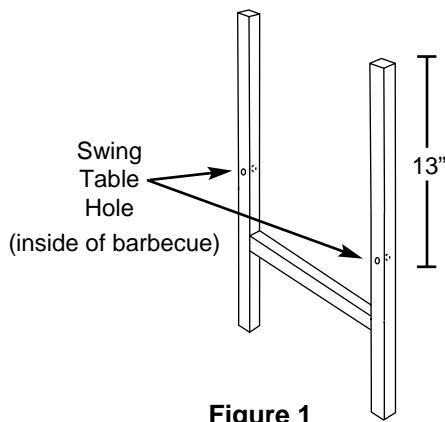


Figure 1

If the swing table hole goes through the leg frame, use the following parts for a slide bar style table (figure 2):

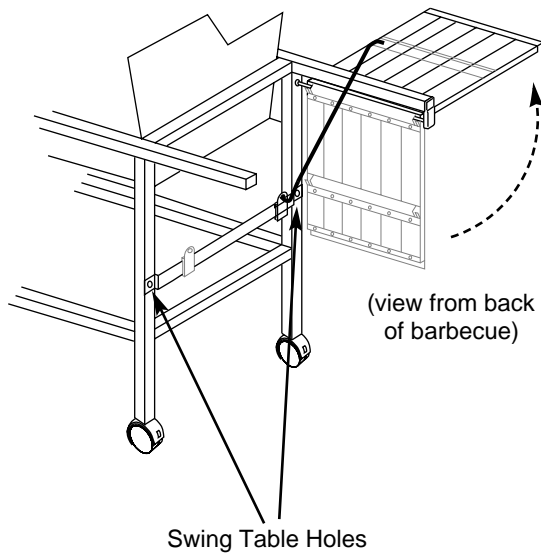


Figure 2

If the swing table hole is only on the inside of the leg frame, use the following parts for a rod style table (figure 3):

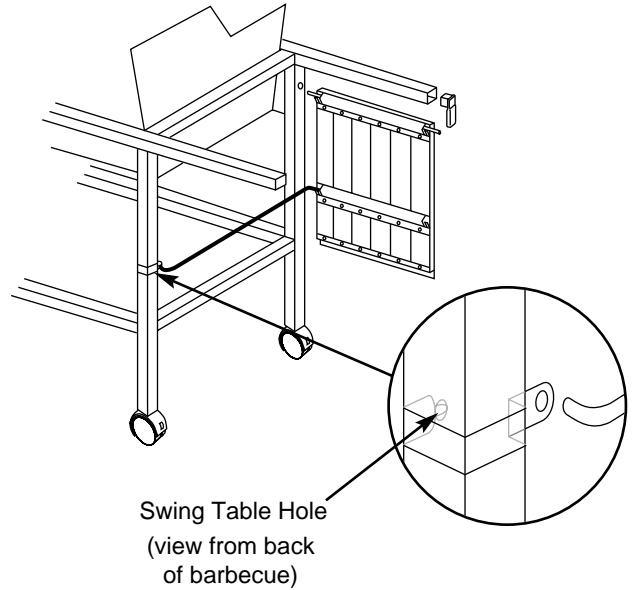


Figure 3

If there is no swing table hole in the frame, or you want a slide bar when the Weber Gas Barbecue frame has only one hole, use the following frame pieces. **DO NOT DRILL THE FRAME.**

Note: After installing new frame pieces, either type of table will work.

Swing Table End Bracket:

To determine which style of swing table end bracket will fit on your Weber Gas Barbecue, check to see if there is a slot on the bottom of the frame tube (figure 4).

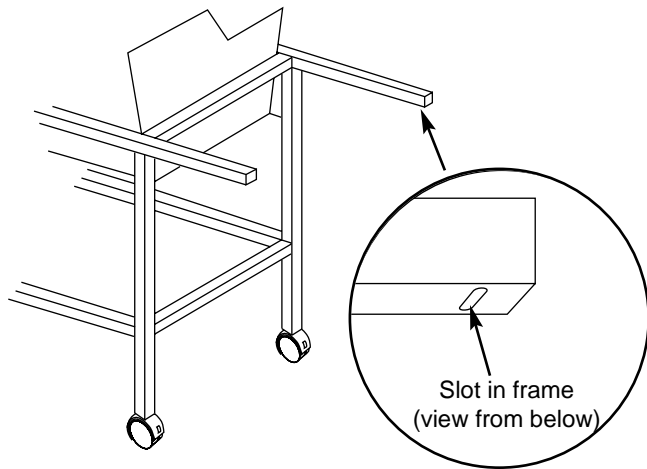


Figure 4

Weber Gas Barbecues with a slot on the bottom of the frame tube may use (figure 6):

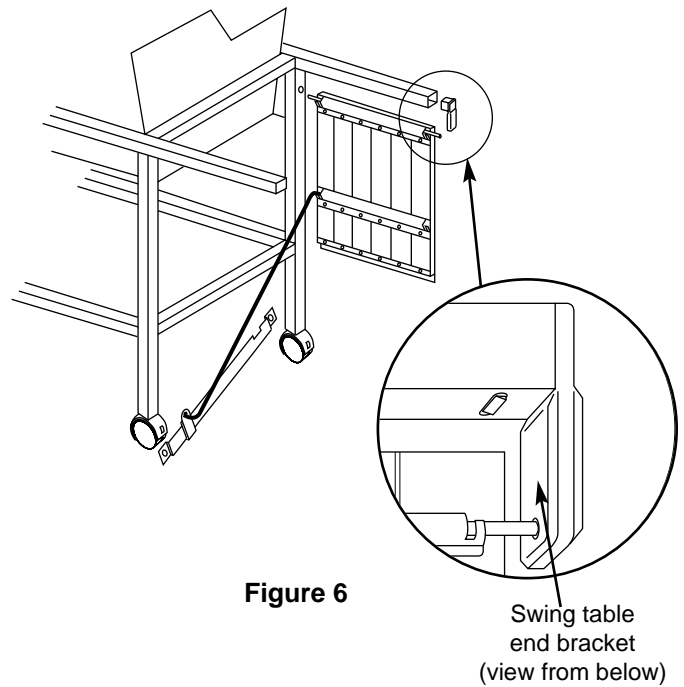


Figure 6

Weber Gas Barbecues that do not have a slot in the frame tube must use (figure 5):

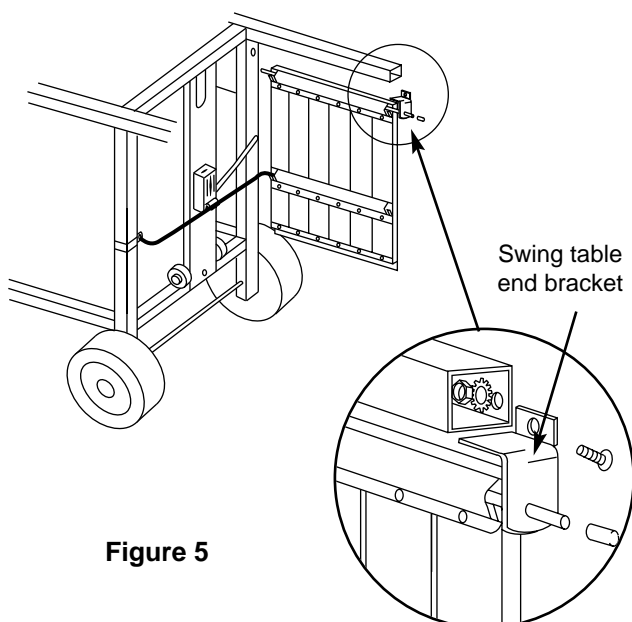


Figure 5